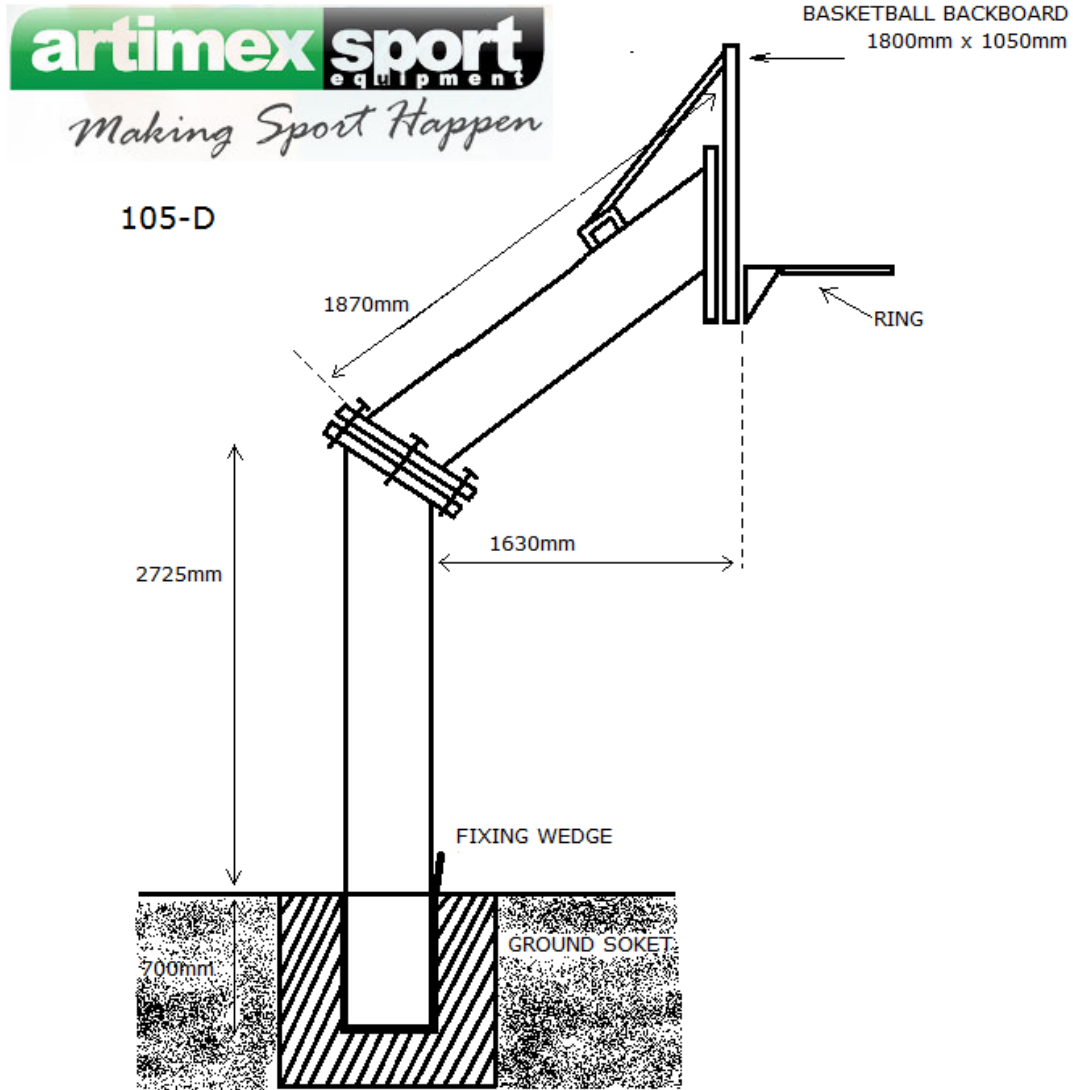


## TECHNICAL AND MOUNTING INSTRUCTIONS 105-D



-Fasten the cup in concrete. It is advisable to use the spirit level in order to get the right position.

- Wait for 24 hours until the concrete hardens.

-Fix the pole inside the cup and insert the fixing wedge (in order to secure the pole).

-Attach the 1870mm long arm by using the 12x50mm screws.

-Mount the backboard and the ring at the same time by using the four 10x50 screws.

-Attach the 2 arms at the top of the backboard and at the upper part of the pole. It is advisable to use the spirit level when mounting the backboard.

### THE ACCESSORY BOX INCLUDES:

-Screw 12x50                      8 pcs.

-Screw 10x50                      5 pcs.

-Binding head screw 8x50    2 pcs.